



**INDUSTRIAL  
MAGNETICS®**

**IAOM 2023**

Chris Stephens Regional Manager

# Recent Changes

- 2" Tube Offering
- Opti Tube Series
- EZ Clean To Self-Clean Upgrade Kit
- Round Housings
- Extended Length Plate Magnet

# Magnetic Tubes

## 2" Tube

1" Tube



3" Tube



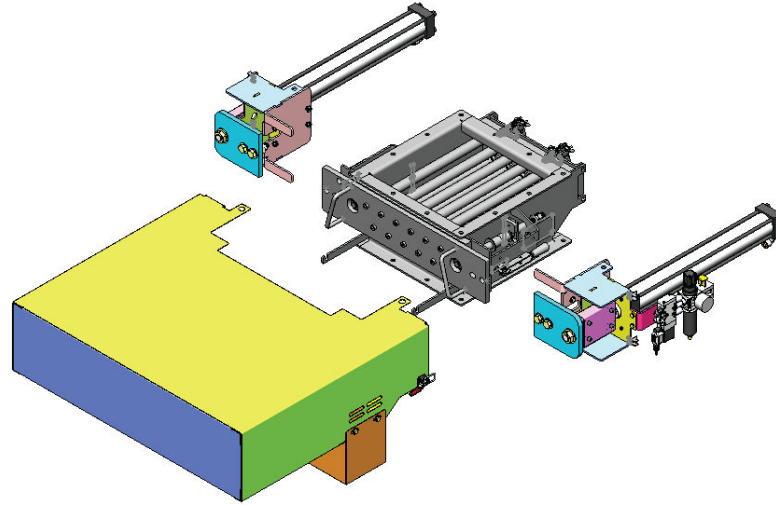
# Magnetic Tube Offerings

## MAGNETIC GRATE TUBES DESIGNS, APPLICATIONS AND SPECIFICATIONS

CONFIGURATION	APPLICATION	MAGNET	1/4" BALL PULL VALUES	1/2" BALL PULL VALUES	GAUSS	DURABILITY
Opti-B™	Balanced	UHI-52™ Rare Earth	95.8 oz. (5.99 lbs.)	267.2 oz. (16.7 lbs.)	9475	★★★★★
Opti-G™	High Gauss	UHI-55™ Rare Earth	108.3 oz. ( 6.77 lbs.)	265.6 oz. (16.6 lbs.)	12000	★★★
Opti-H™	HACCP	UHI-55™ Rare Earth	106 oz. (6.63 lbs.)	260.8 oz. (16.3 lbs.)	11175	★★★★★
Opti-L™	Large Tube	UHI-52™ Rare Earth	106.8 oz. (6.68 lbs.)	448 oz. (28 lbs.)	12385	★★★★★
Opti-M™	Mid-Tube	UHI-52™ Rare Earth	128.8 oz. (8.05 lbs.)	459.2 oz. (28.7 lbs.)	13565	★★★★★
Opti-P™	High Pull	UHI-55™ Rare Earth	119.1 oz. (7.44 lbs.)	316.8 oz. (19.8 lbs.)	10539	★★★
Opti-T™	High Temperature	Hi-Temp Rare Earth	60.5 oz (3.78 lbs)	188.3 oz (11.78 lbs)	7240	★★★★★
Opti-V™	Value	Ceramic	0.5 oz. (0.03 lbs.)	24 oz. (1.5 lbs.)	2320	★★★★★

# Upgrade kit

Housing Style	# of Drawers	Price
6" to 12"	1	\$5,200
	2	\$10,400
13" to 18"	1	\$6,350
	2	\$12,700
19" to 24"	1	\$9,250
	2	\$18,500



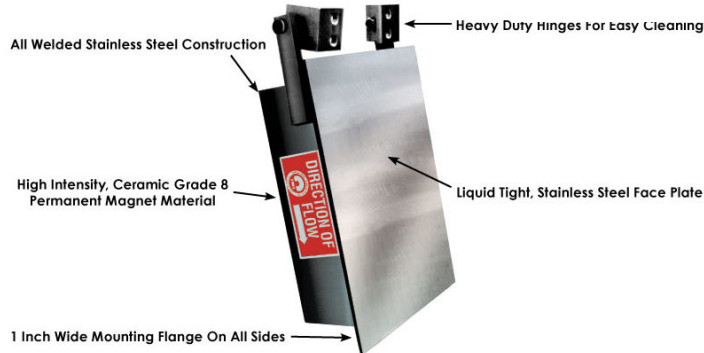
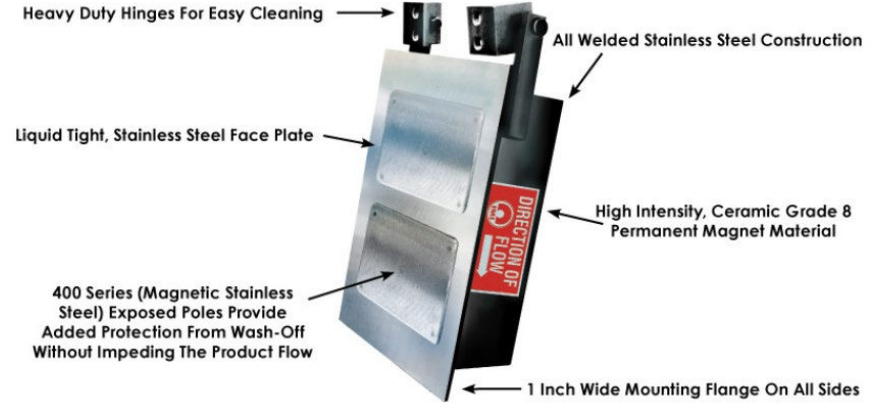
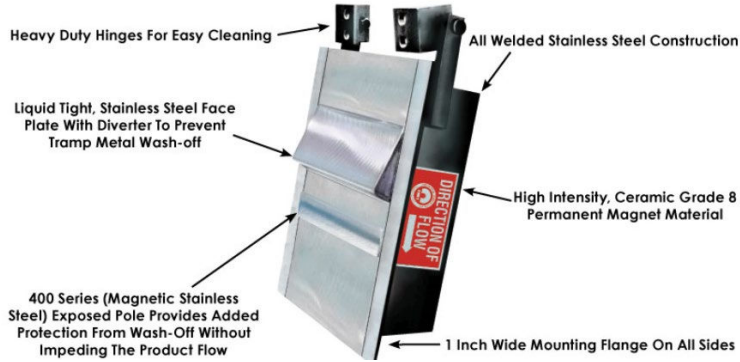
Please scan for  
step-by-step  
instruction

# Round Drawer in Housing



- Available in 4",5",6" and 8" Diameter
- 1 and 2 rows available
- Space saving design
- Only available in simple clean

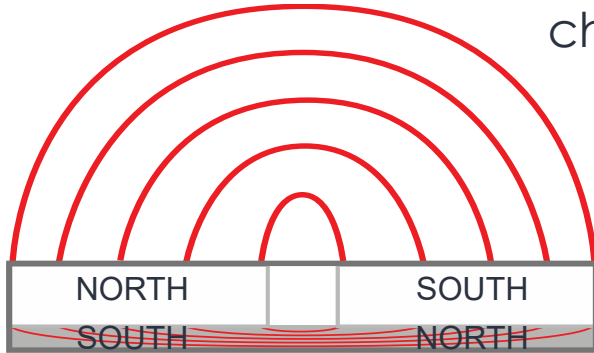
# Plate Magnets



# Magnetic Circuit – Plate Magnet



Most plate magnets should be Ceramic because they are equipment protection magnets. Build them thick, long in the direction of flow, and with multiple poles to deal with the speed that most products flow at in gravity chutes.





# R&D Lab & Test Facility



# Questions?

