



Pepper Maintenance®

“The Hottest Name in Reliability!”

Edward LaPreze

Level II Thermographer

Category II Vibration Analyst

Certified in Precision Alignment / Balancing

SMRP Member

Motion Amplification Certified



Motion Amplification - Unique features and benefits

- ◆ Measure deflection, displacement, movement and vibration
- ◆ Reveal movement not visible to the human eye
- ◆ Every pixel in the video becomes a sensor
- ◆ See the bigger picture
- ◆ Non-contact measurement Visualisation of vibration data
- ◆ Complementary CM tool
- ◆ Revolutionises ODS analysis
- ◆ Set up, acquire and visualise in minutes not days
- ◆ Applications: Up to your imagination!



Why is Visualization So Important?

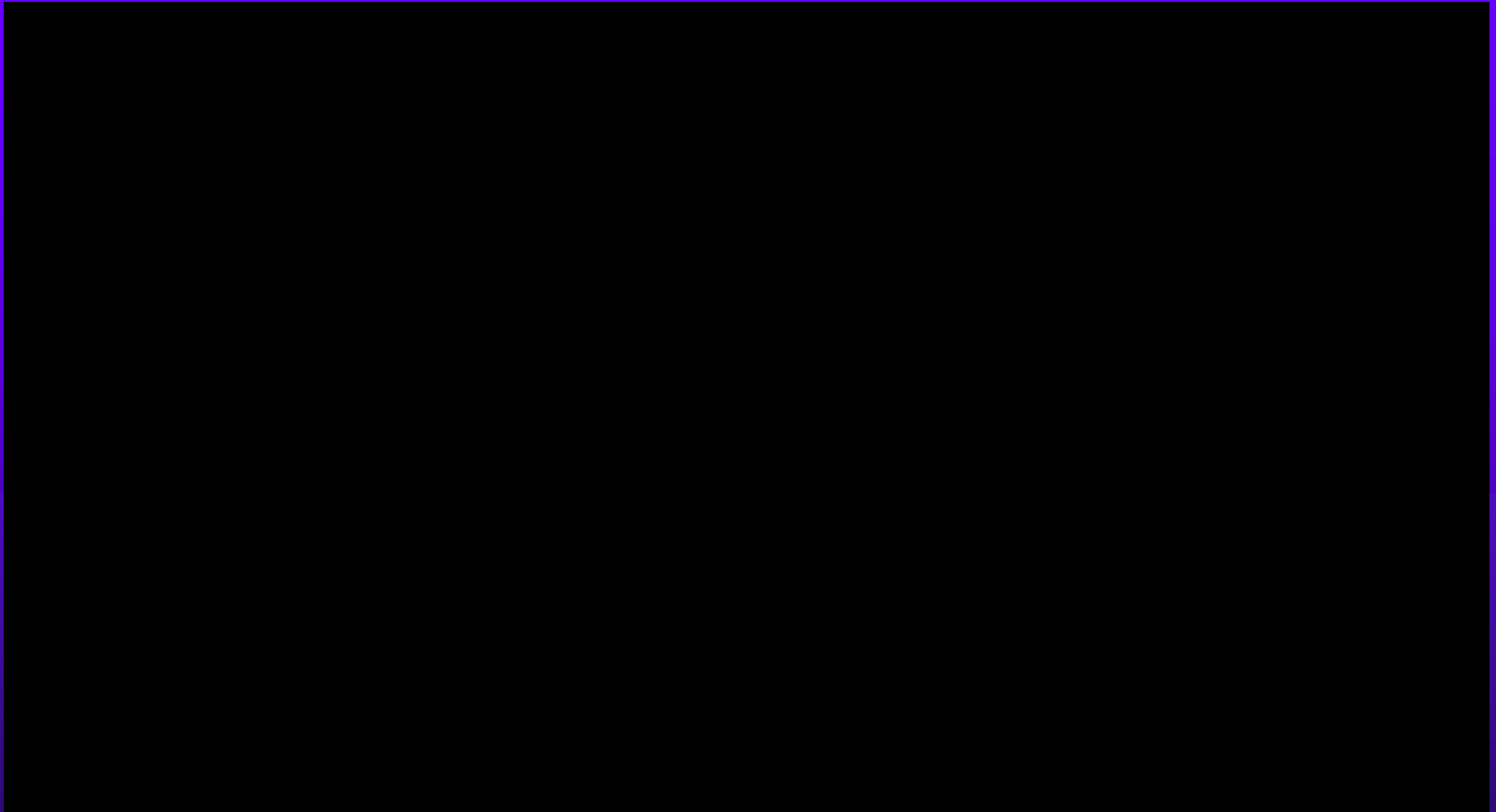
- ◆ Imagine what you could do by visualizing faults in machinery, infrastructure, and human performance. You can look at numbers and analysis from tools like accelerometers, strain gauges and modelling software and still not be able to visualize what the problem is. Being able to see what is happening can change your perspective completely along with allowing more targeted and cost effective approach to fault analysis. There are tools to magnify an image or to offer point measurements on a machine or piece of infrastructure, but no real way to see what is happening live and over the whole asset until now. RDI offers the first non-invasive, simple, and cost effective way to visualize what is happening beyond what you can see with your eye.
- ◆ We aren't guessing at the motion or adding in artifacts, you are seeing the true microscopic motions of any object in the field of view.



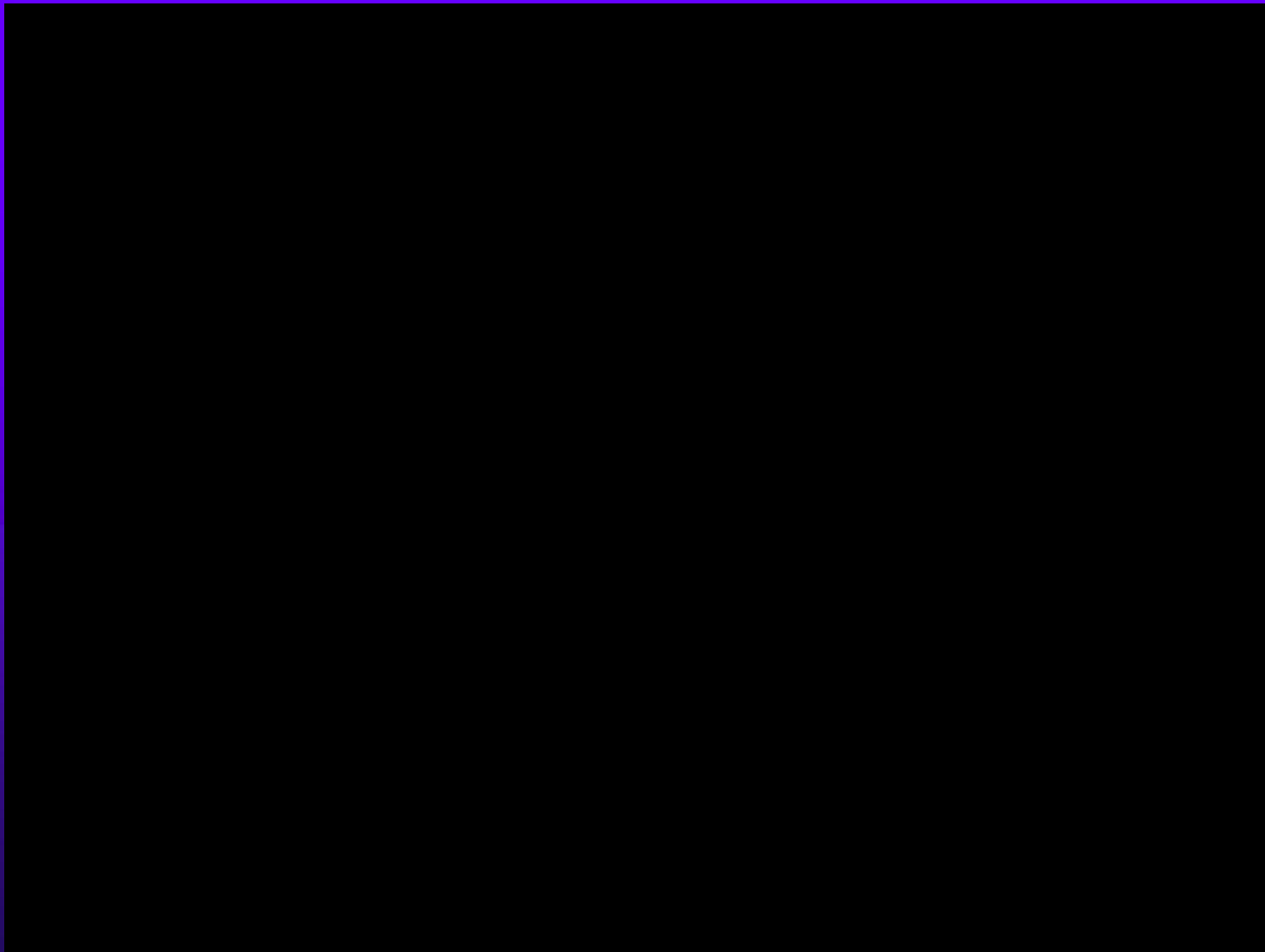
How Does It Work?

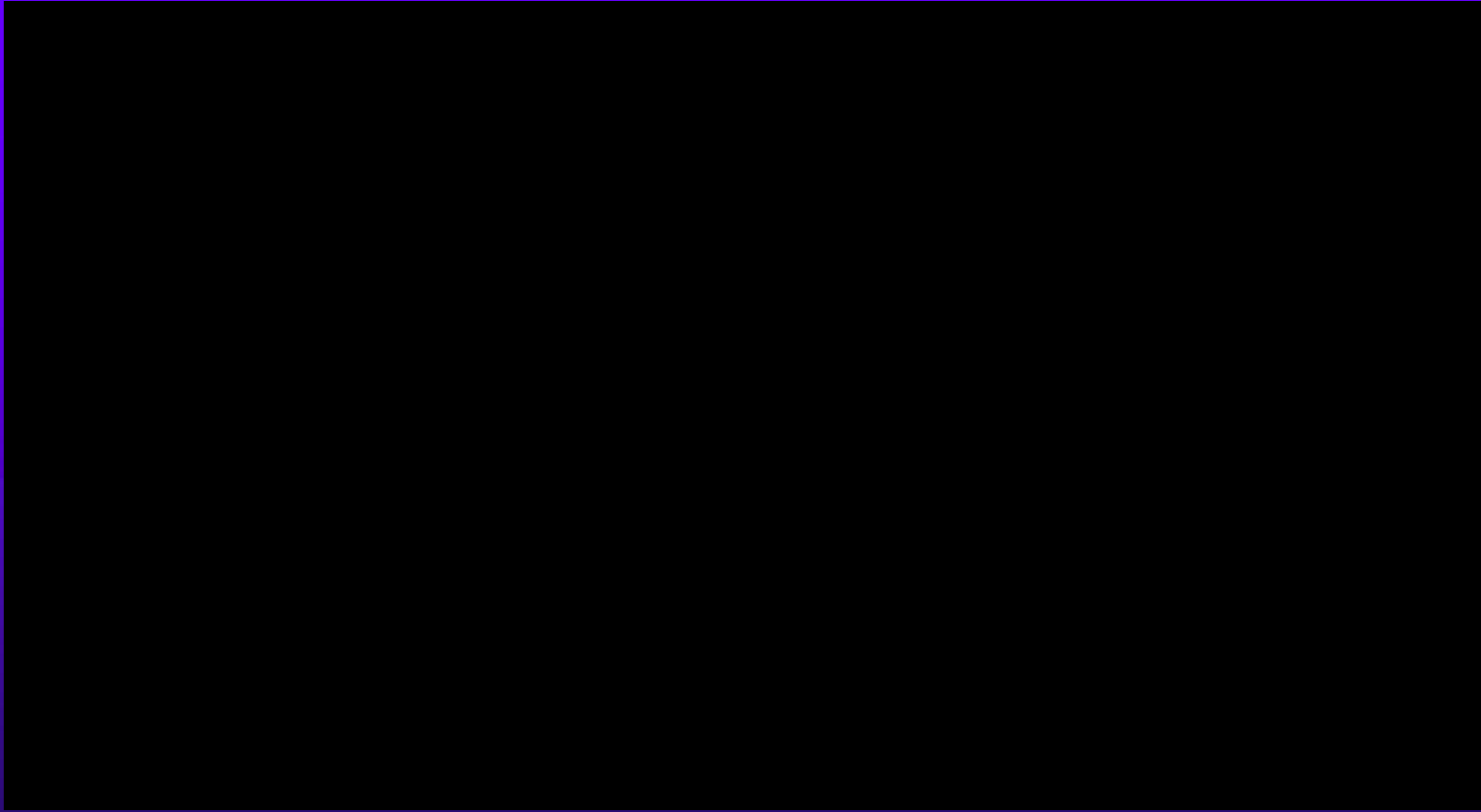
- ◆ RDI's patented technology measures deflection, displacement, movement and vibration not visible to the human eye. RDI utilizes video camera technology in conjunction with proprietary software and processing algorithms to extract meaningful data. This technology turns every pixel in the camera's view into a sensor capable of measuring vibration or motion with high levels of accuracy.
- ◆ You can visualize the motion together with measuring and quantifying any structural assets that a camera can see. Motion Amplification is a proprietary video processing algorithm that detects subtle motion then amplifies that motion to a level visible with the naked eye which enhances the understanding of the components and interrelationships creating the motion.

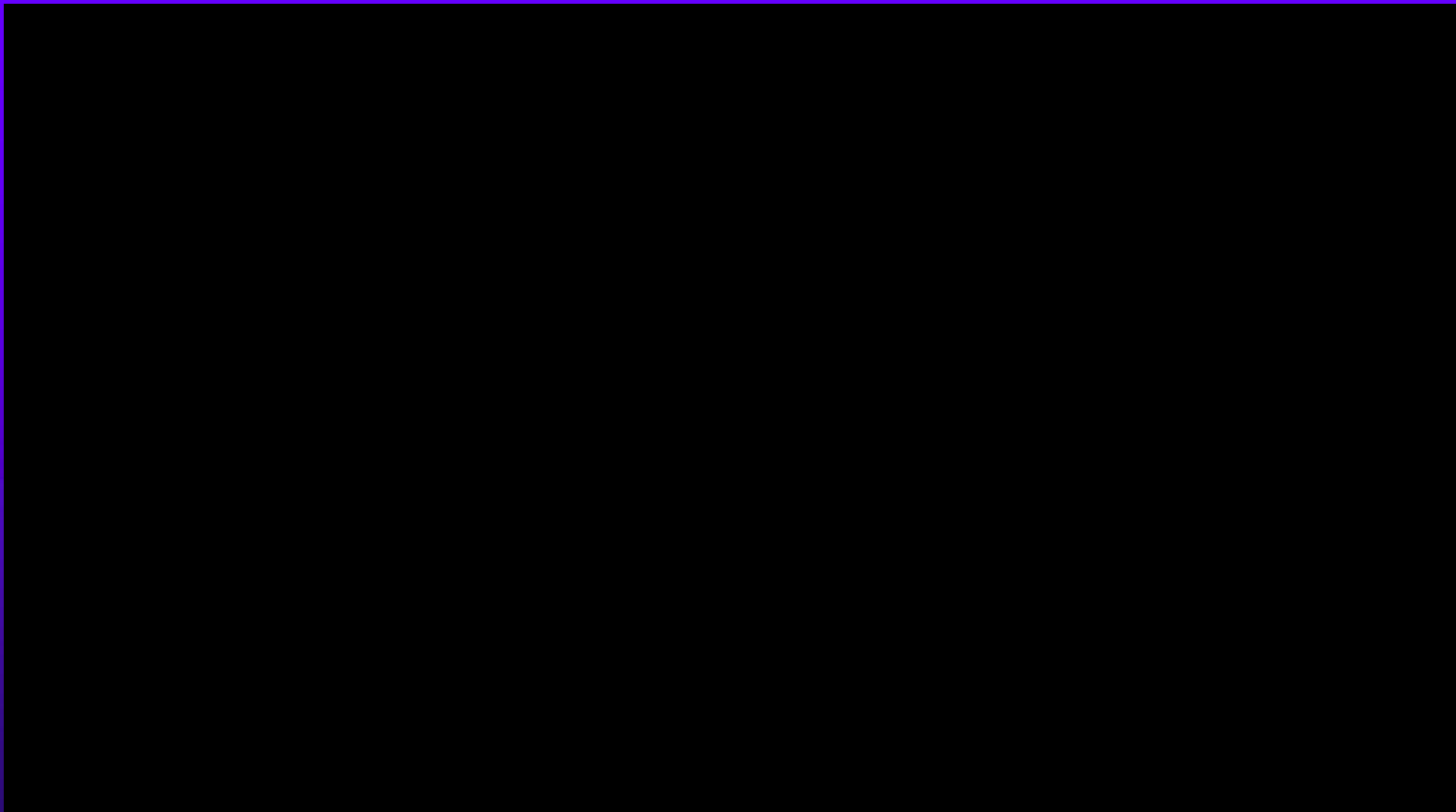
Motion Amplification



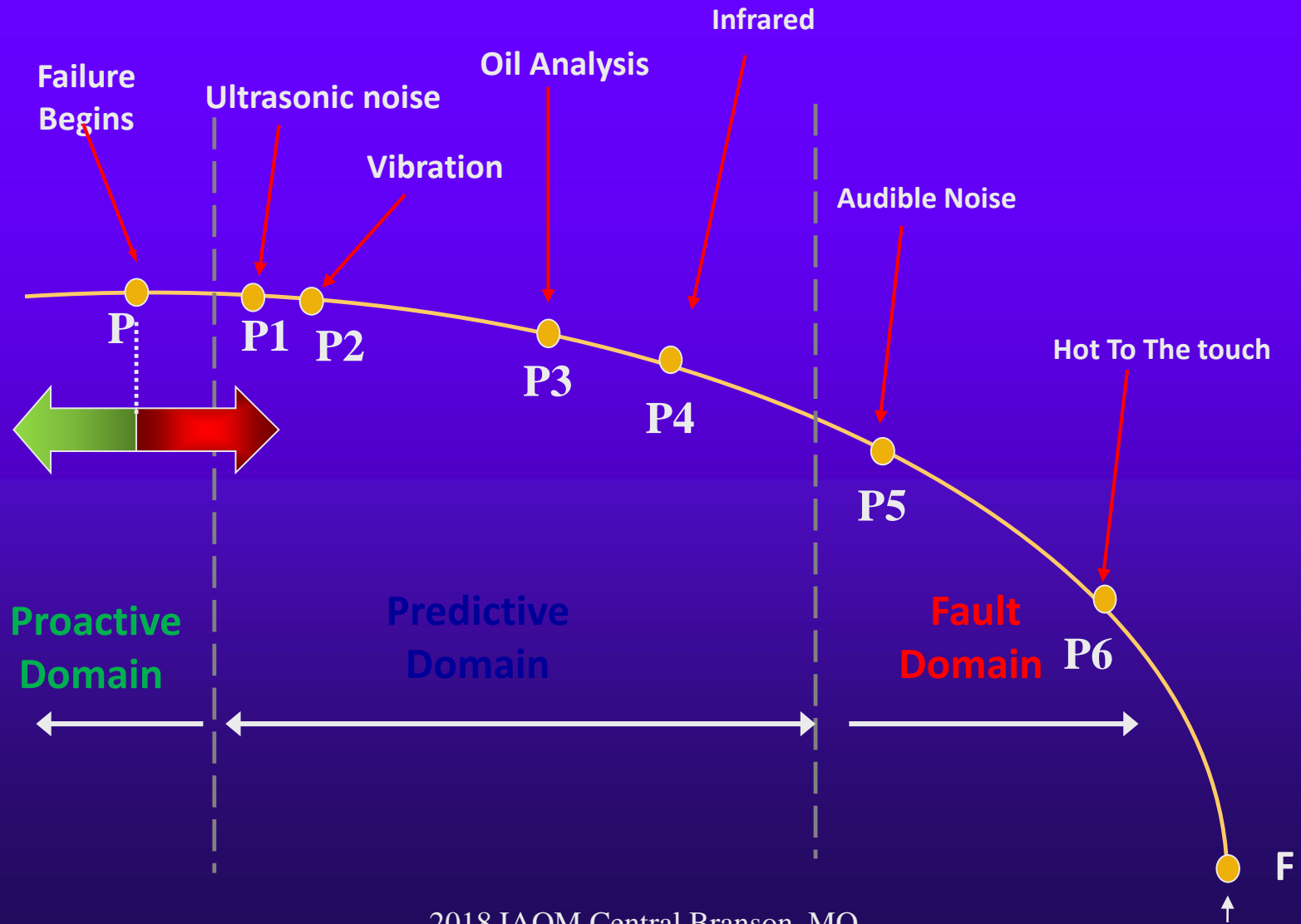
Case Study

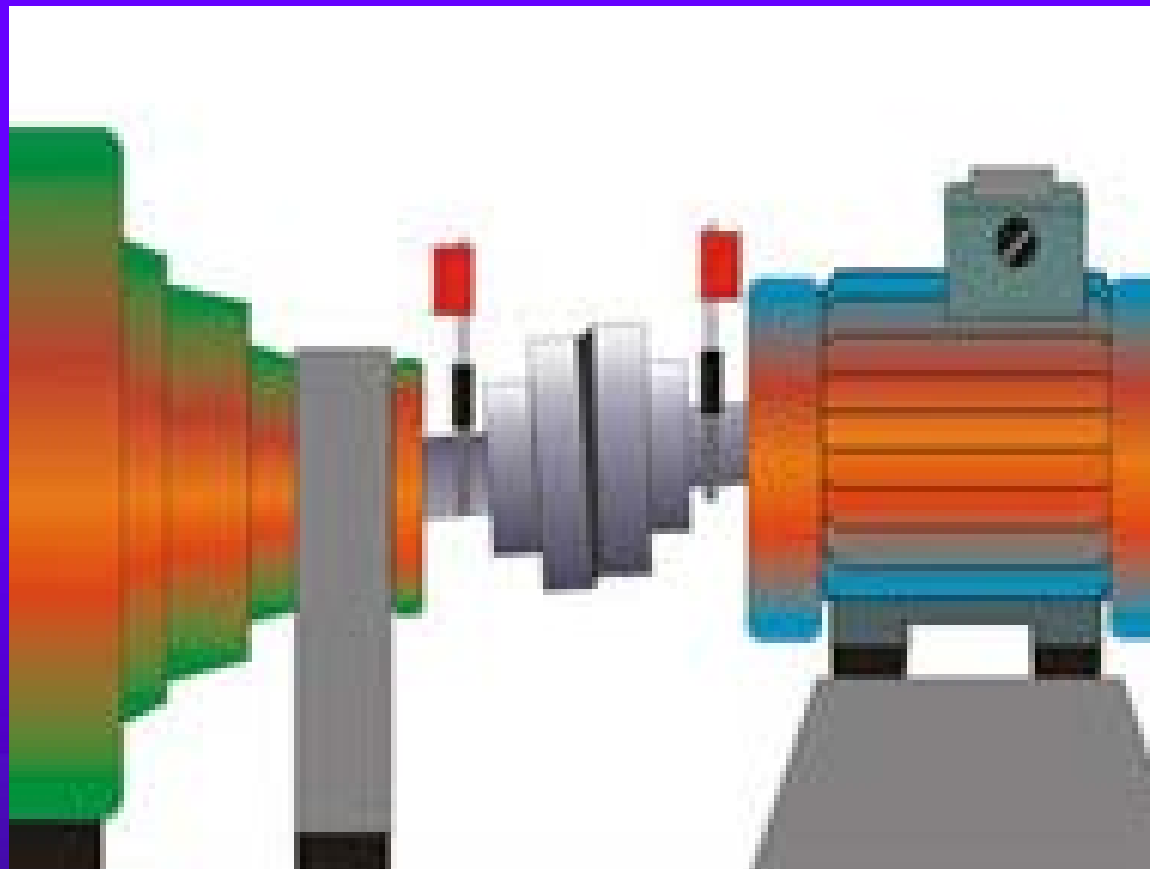






The P - F Curve





Questions?